

Description:

CH034 is an inline type fiber optic splice closure 4 in 4 out for optical fiber splicing and cable protection. It is waterproof with sealing gasket between the cover and bottom, suitable for outdoor aerial hang application.



Features:

Mechanical sealing structure, reasonable design for cable protection.

Material: High impact resistance PP plastic base and cover; ABS plastic splice tray

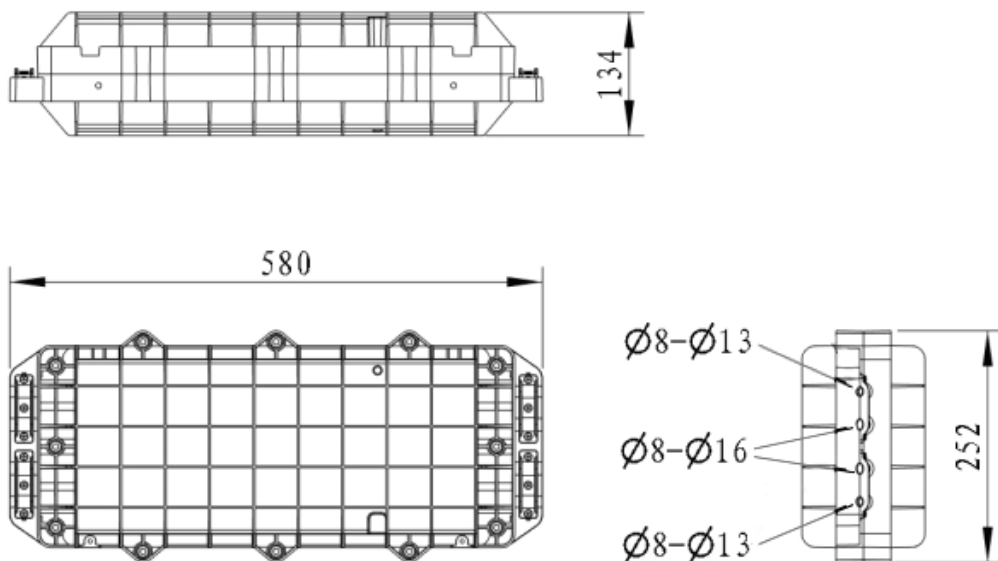
8 cable ports (4 in 4 out) for optical cable entry & exist.

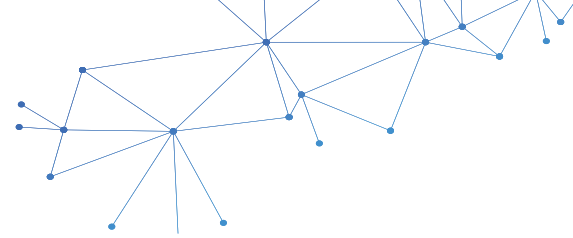
Max. 12pcs splice tray OST-045, each 24 fibers; max. 288 fibers capacity.

With fixing cable strengthen core parts.

Dust-proof and waterproof, IP65.

Dimension:

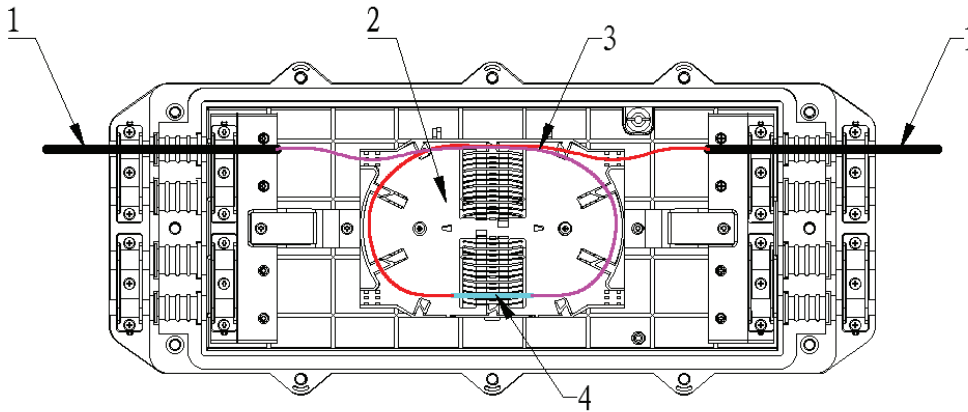




Specification:

Model	Dimension	Material	Splice tray	Max.capacity	Cable port	Application
CH034	580x252x134mm	PP	12PCS	288 fibers	8 ports	Outdoor aerial hanged

Using instruction:



1. Fiber optic cable 2.Fiber optic splice tray 3. Stripping out fiber 4. Fiber optic heat shrinkable sleeve

Accessories:

Item	Specification	Qty
Heat protect shrinkable sleeve	60mm*3.0*1.5	As per using capacity
Cable tie	3mm*100mm	24 pcs
Inner hexagon spanner	S6	1 pc
Adhesive tape	15mm*2mm*950mm	1 reel
Aerial hook		2 pcs

Packing information:

4pcs per carton, each carton 60.5*53.5*31cm