

Description:

Fiber optic drop cable terminal box OTB-S48 is used as a termination point for the feeder cable to connect with drop cable. The fiber splicing, splitting, distribution can be done in this box, and meanwhile it provides solid protection and management for the FTTx network building.



Features:

Standard size, light weight and reasonable enclosed structure.

Material: ABS plastic, water-proof IP65.

Clamping for feeder cable and drop cable, fiber splicing, fixation, storage, distribution...etc.

Cable, pigtails, patch cords are running through its own path without disturbing each other.

Can load 48pcs SC, LC, FC, ST ... adapters and load PLC box type splitter under splice tray.

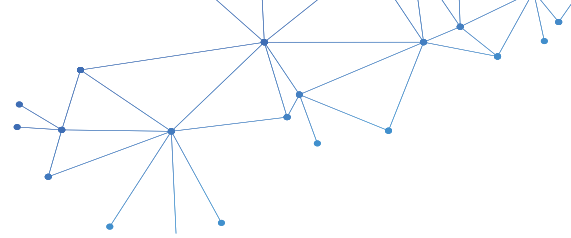
Max. Capacity 48 fibers, 2pcs OST-010G splice trays

Distribution panel can be flipped up, easy for maintenance and installation.

Indoor & outdoor wall mounted, pole mounted application.

Specification:

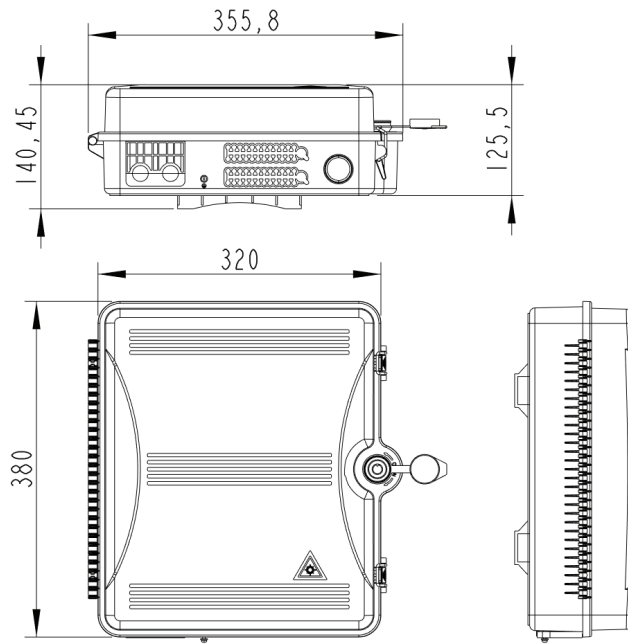
Model	Dimension (mm)	Material	Adapter port	Splicing capacity	Cable port	Application
OTB-S48	355.8x380x140.45	ABS plastic	48 SC simplex, LC duplex, FC simplex, ST simplex ...	Max. 48 fibers	2 cable port 18mm for supporting cable entry without cutting & 1 port 18mm & 48 output port 6mm	Outdoor wall mounted and pole mounted; Can load 1pc 1:32 splitter



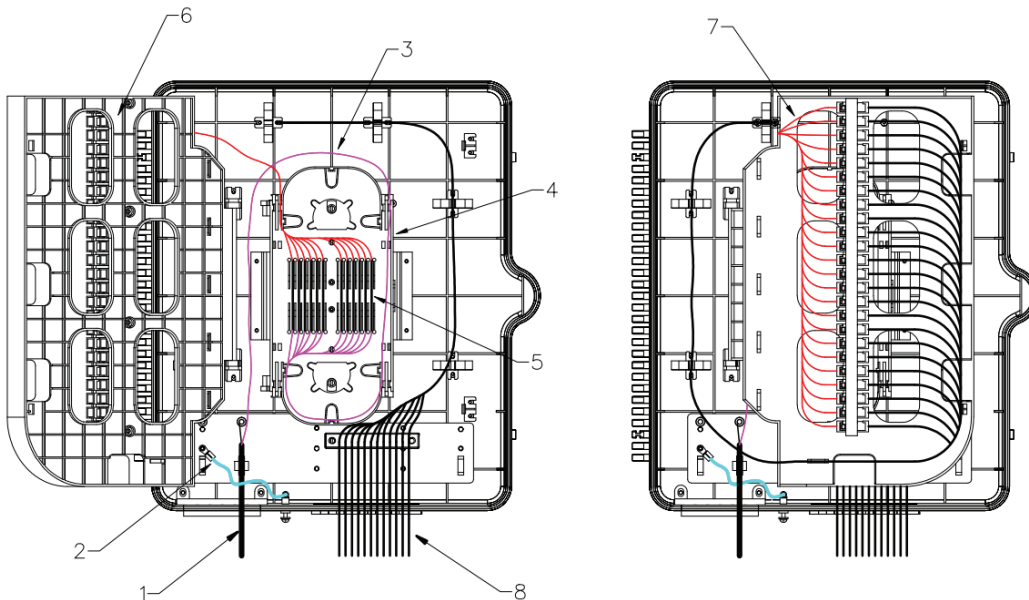
Application:

Telecommunications subscriber loop
 Fiber to the home (FTTH)
 LAN / WAN / CATV

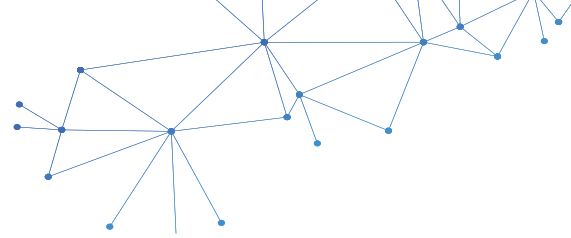
Drawings: (mm)



Instruction:



- 1. Fiber optic cable
- 2. ground wire
- 3. Stripped out optic fiber
- 4. Fiber optic splice tray
- 5. Heat shrinkable sleeve
- 6. Rotary distribution panel
- 7. Fiber optic pigtail
- 8. FTTH drop cable

**Packing information:**

4pcs per carton, carton size 63x38x43cm

Accessories:

Item	Name	Specification	Qty
1	Heat shrinkable protection sleeve	Length 60mm	As per using capacity
2	Cable tie	Length 150mm	10pcs
3	Plastic expansion pipe	Φ6mm	4pcs
4	Round head tapping screw	4*30mm C type	4pcs
5	Plastic tube	Outside Φ5mm	0.3 meter

Picture: