

Description:

CV012 is a dome type fiber optic splice closure that used for optical fiber cable splicing and protection.



Feature:

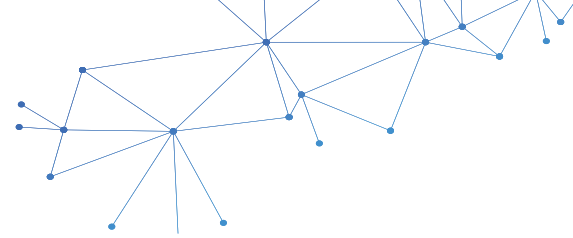
- 1) Splice tray: Max. 5pcs, each 24cores; Max. 120 fibers
- 2) Cable port: 3pcs round port $\phi 19\text{mm}$ + 1 oval port $47*27\text{mm}$ for cable entry without cutting, heat shrinkable sealing.
- 3) Waterproof: IP68
- 4) Wall-mounting, aerial hanger and pole holding
- 5) Material: high impact resistance PP materials with UV

Specification

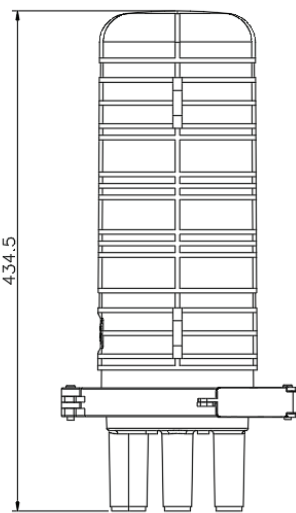
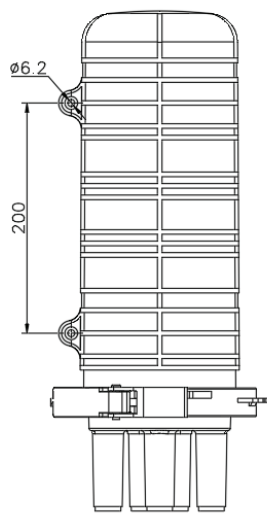
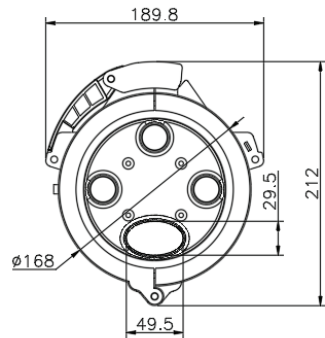
Model	Material	Dimension	Max.capacity	Splice tray
CV012	PP	$\Phi 168 \times 434.5 \text{ mm}$	120 fibers	5pcs, each 24 fibers

Accessories:

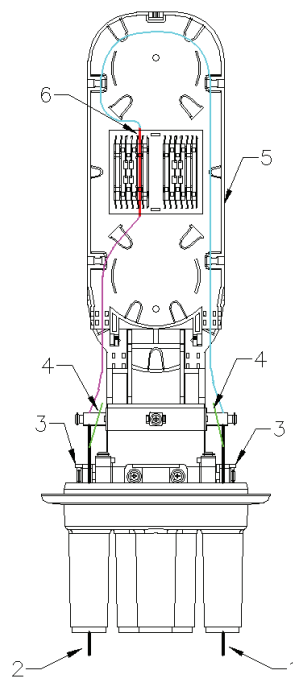




Drawings: (mm)



Instruction:



1. Cable entry port
2. Cable output ports
3. Cable fixing kit
4. Cable strengthen core fixing kit
5. Fiber optic splice tray
6. Heat shrinkable protection sleeve