

#### Description:

DIN-00 is a DIN rail mounted fiber optic terminal box that used for fiber connection and distribution. It is made of aluminum, inside with plastic splice tray, light weight, good to use.



#### Features:

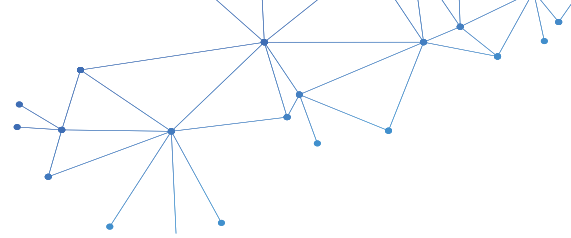
- Reasonable design, aluminum box, light weight
- Electrostatic powder painting, grey or black color
- ABS plastic blue splice tray, rotatable design, compact structure
- Max. 24 fibers capacity
- FC, ST, LC, SC ... different adapter port available
- DIN rail mounted application

#### Specification:

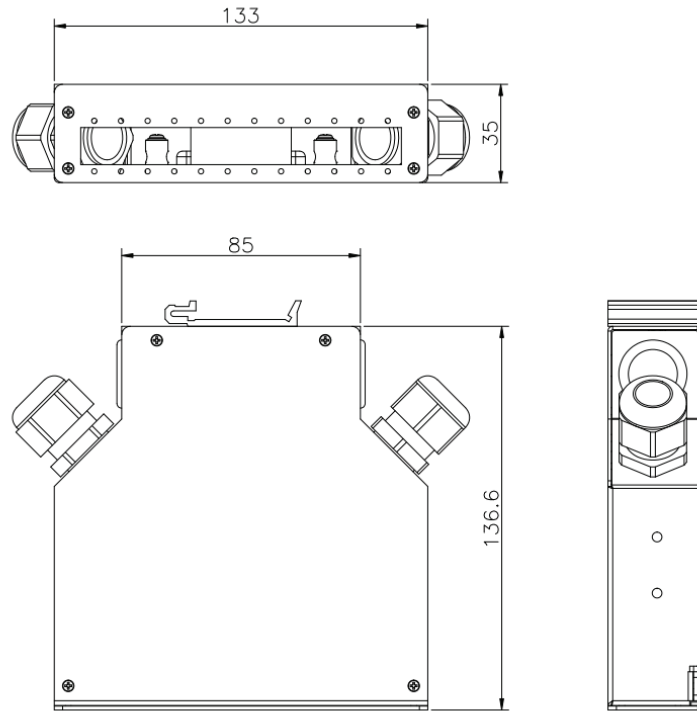
Model	Dimension	Material	Adapter port	Splicing capacity	Cable port	Application
DIN-00	133x136.6x35mm	Aluminum	12 SC simplex	Max. 24 fibers	4 ports	DIN rail mounted

#### Accessories:

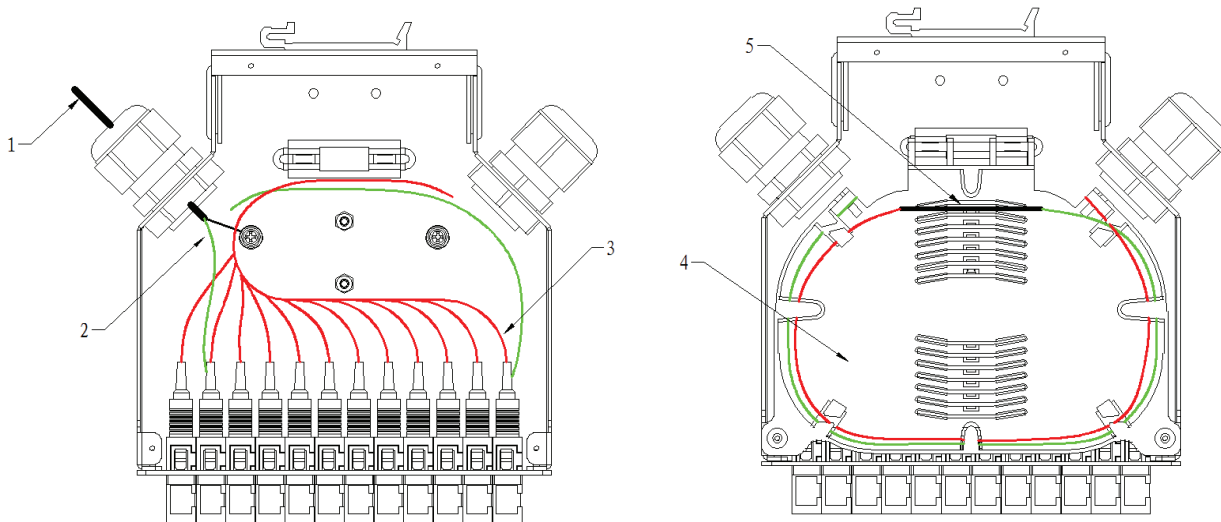
Item	Name	Specification	Unit	Qty
1	Heat shrinkable protection sleeves	45*2.6*1.2mm	pcs	As per using capacity
2	Cable tie	1.9*120mm white	pcs	2



**Drawings: (mm)**



**Cable management drawings:**



- 1. Fiber optic cable
- 2. stripping out optical fiber
- 3. fiber optic pigtail
- 4. splice tray
- 5. heat shrinkable protection sleeve